

#12 self tapping attach
bracket screws
twelve (typ.) per installation

#12 self tapping condenser
mounting screws
Eight (typ.) per installation

Attach bracket
four (typ.) per
installation

Isolator Rail
two (typ.) per
installation

Note: Vertical flow
condenser omitted
for clarity

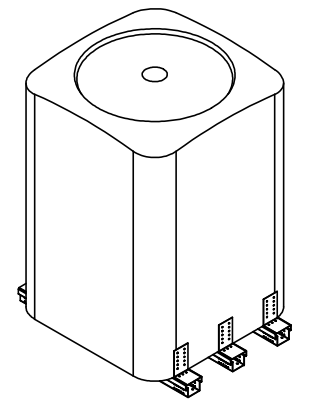
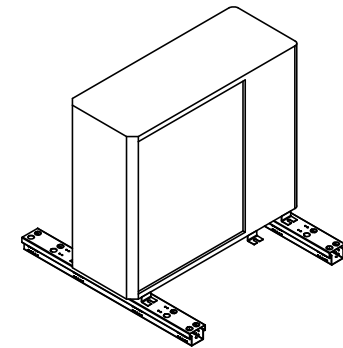
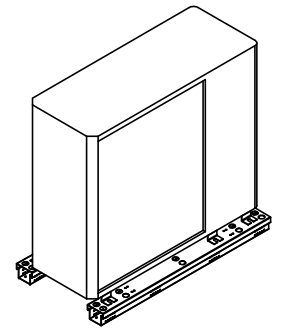
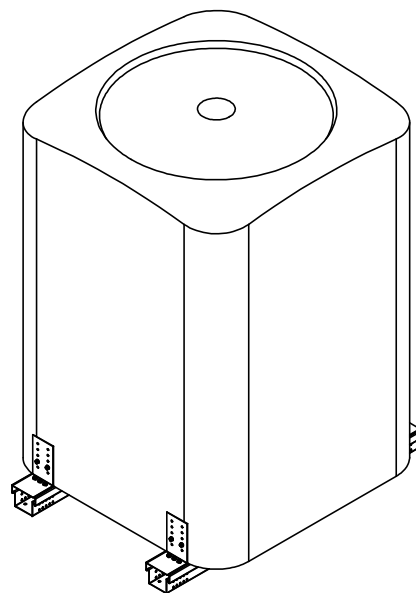
Rail mounting hole access (10x per rail)
for mounting rail to subsurface as required.
Use fasteners as appropriate for subsurface
in sufficient numbers to match local code
uplift requirements.

Horizontal Flow, Isolators parallel
Note: isolators within each rail
typically have custom weight ratings.

Horizontal Flow, Isolators Orthogonal
Note: isolator rails typically have
differing weight ratings

Vertical Flow, Three isolators
(condensers > 450 lb)

Note: Do not scale drawings



Seicon, Limited
3999 Parkway Lane, Suite #13
Hilliard, OH 43026

+614-354-5300
www.seiconlimited.com

UNLESS OTHERWISE SPECIFIED:

DIMENSIONS ARE IN INCHES
TOLERANCES:
FRACTIONAL ±0.062
ANGULAR: BEND ± 2 deg.
TWO PLACE DECIMAL ±0.05

MATERIAL

CR steel

FINISH

PC

DO NOT SCALE DRAWING

NAME	DATE
JAB	12/14
DRAWN	

COMMENTS:

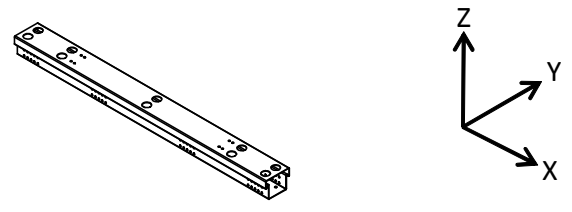
VibrationBloc HVAC Isolator

TITLE:
**General
Installation**

SIZE	DWG. NO.	REV
B	Submittal	

SCALE: 1:20	WEIGHT:	SHEET 1 OF 2
-------------	---------	--------------

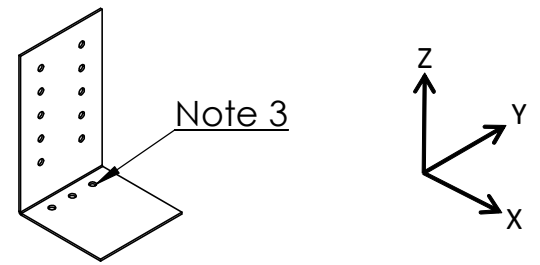
Strength by axis



Axis	Ultimate Strength (lbf, incl. safety factor)
X	1205 (note 1)
Y	1500
Z	1500 (note 2)

Notes:

- Strength listed in the X-axis assumes that the system will retain its structural integrity, but will not remain operational.
- Ultimate strength represents the ultimate strength times a safety factor.

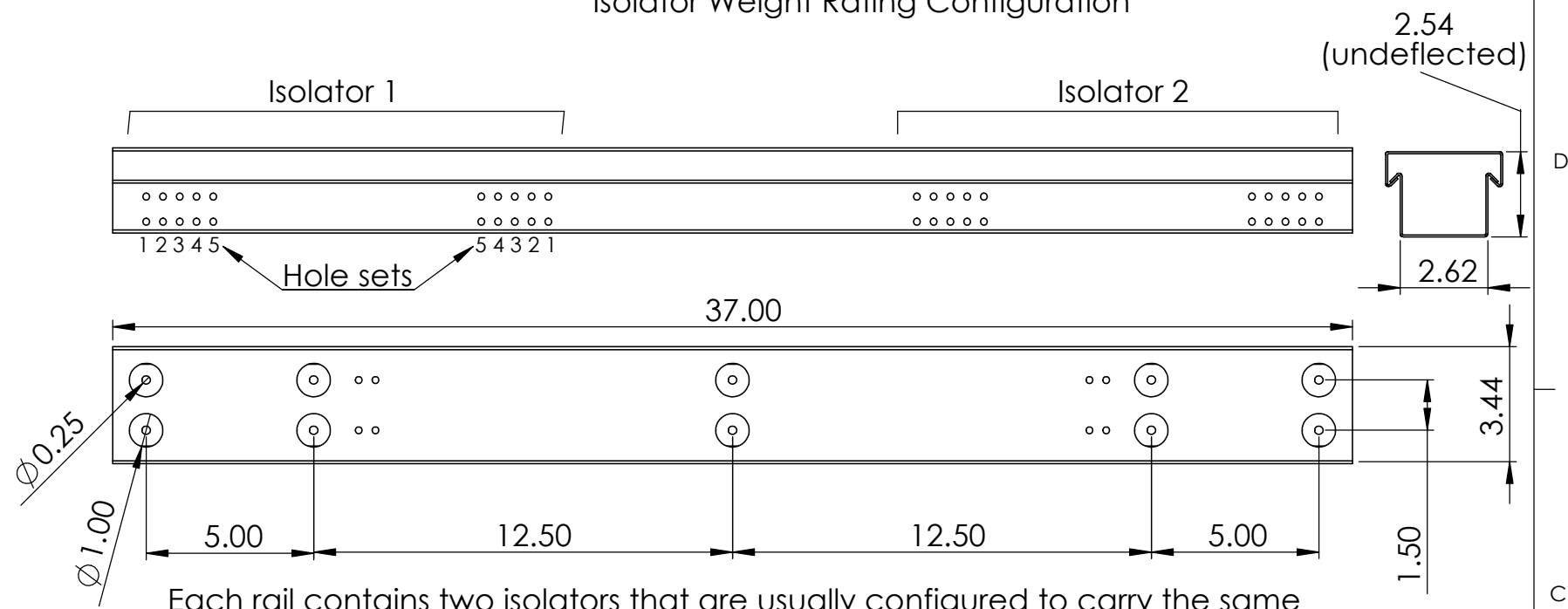


Axis	Ultimate Strength (lbf, incl. safety factor)
X	1300 (note 1)
Y	1300
Z	725 (note 2)

Notes:

- Strength listed in the X-axis assumes that the system will retain its structural integrity, but will not remain operational.
- Ultimate strength represents the ultimate strength times a safety factor.
- New hole pattern shown; First generation attach brackets should be attached using hole pattern shown. Attach brackets for higher maximum loadings are available.

Isolator Weight Rating Configuration



Each rail contains two isolators that are usually configured to carry the same weight; the sum of the weight capacities of the two isolators is the total weight rating of the rail. Custom configurations for the two isolators are available. Weight rating is determined by rivet location in hole pairs:

Hole Number	Rating Per Isolator (lb)	Rating Per Rail (lb)*	Deflection (min - max, in.)
1	25 - 40	50 - 80	0.19 - 0.30
2	40.25 - 50	80.5 - 100	0.24 - 0.30
3	50.25 - 65	100.5 - 130	0.23 - 0.30
4	65.25 - 90	130.5 - 180	0.22 - 0.31
5	90.25 - 112.5	180.5 - 225	0.22 - 0.28

*Rails are typically used in pairs; if the supported weight of the condenser exceeds the maximum, more than two rails may be used. Isolator weight rating is set during production and is not user configured.

General Characteristics	
Weight, single rail (lb)	9.0
Construction	CR steel
Finish	Black E-Coat

Note: Do not scale drawings

<p>Seicon, Limited 3999 Parkway Lane, Suite 13 Hilliard, OH 43026</p> <p>+614-354-5300 www.seiconlimited.com</p>	UNLESS OTHERWISE SPECIFIED:	NAME	DATE	<p>VibrationBloc HVAC Isolator</p> <p>TITLE: Installation Data</p>	
	DIMENSIONS ARE IN INCHES TOLERANCES: FRACTIONAL ±0.062 ANGULAR: BEND ± 2 deg. TWO PLACE DECIMAL ±0.05	DRAWN	JAB		12/14
	MATERIAL	COMMENTS:			
	CR steel				
FINISH	PC	SIZE	DWG. NO.	REV	
DO NOT SCALE DRAWING		B	Submittal		
		SCALE: 1:5	WEIGHT:	SHEET 2 OF 2	